

LOW VOLTAGE ABC ACCESSORIES

COMPANY PROFILE

YUYAO JERA LINE FITTING CO., LTD is a foreign investment, leading manufactory of electrical cable distribution accessories and fiber optic components.

Our mission is to improve of living conditions of generations, through the development of technology in operation business sectors to the highest level by using innovations and know how.

Our vision is to achieve the possibility of production and supplying a comprehensive, complete and reliable complex of products for construction of telecommunication networks and electricity distribution systems.

In electrical cable distribution accessories application, we produce overhead, underground cable fittings for low, middle, and high voltage ABC fittings and connectors, which are used in electrical distribution systems, street lightning, buildings, transportation, and substations with voltage from 0.4 KV to 35 KV.

In fiber optic component, telecommunication application, we produce fiber optic cable, and related to passive optical network distribution fiber optic cable accessories, used in FTTH and FTTX network constructions.

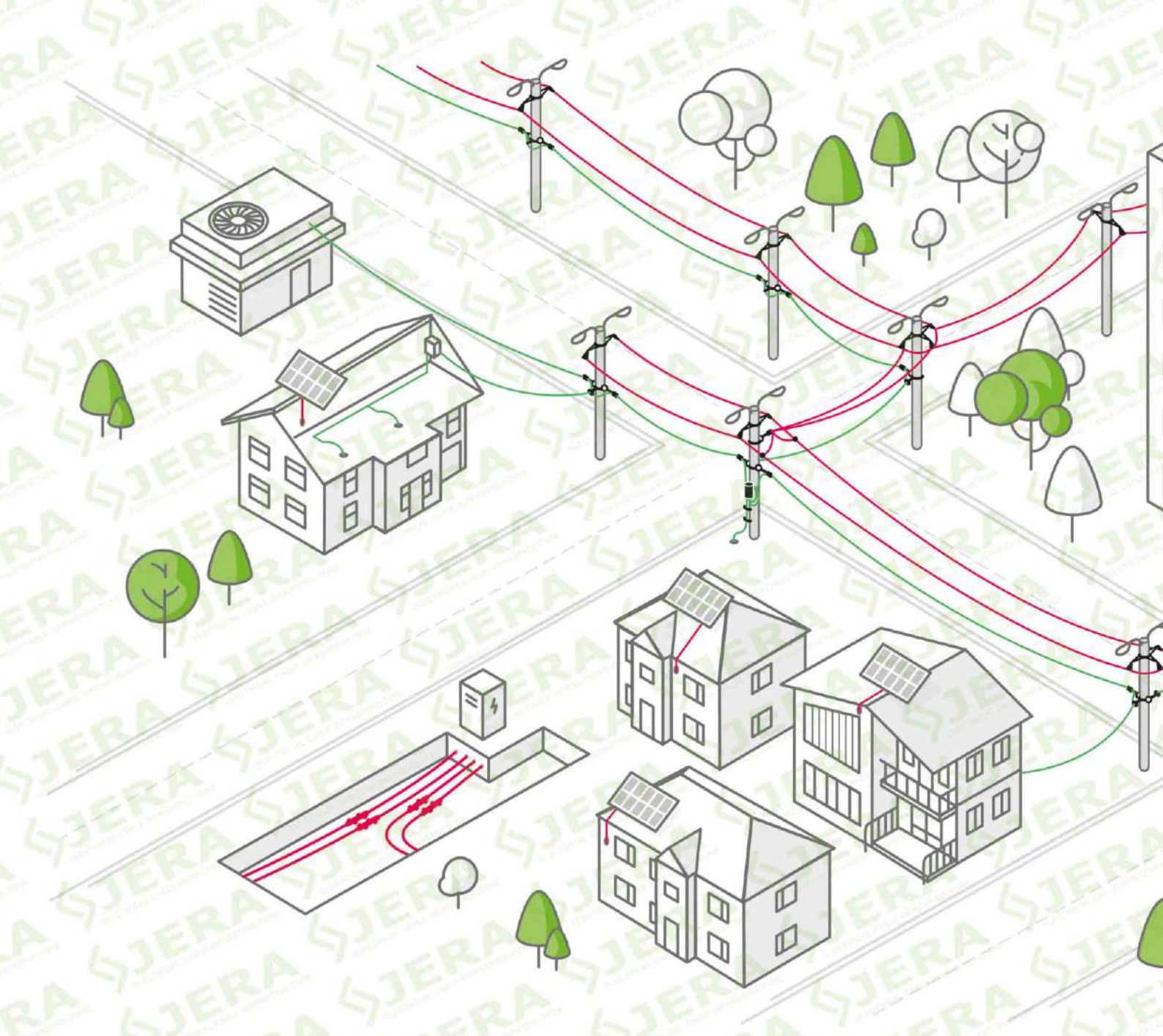
Our products have been inspected with the collaboration of electricity and telecom utility companies in order to satisfy the local requirements and national standards of our customers.

Our company is operating according to ISO 9001:2015, it helps us to sell to over 20 countries and regions such as CIS, Europe, South America, Middle East, Africa, and Asia.

We hope to meet our customer needs with fair price, prompt production, confident quality, flexible OEM, working 5S methods, and modern ways of CRM system.

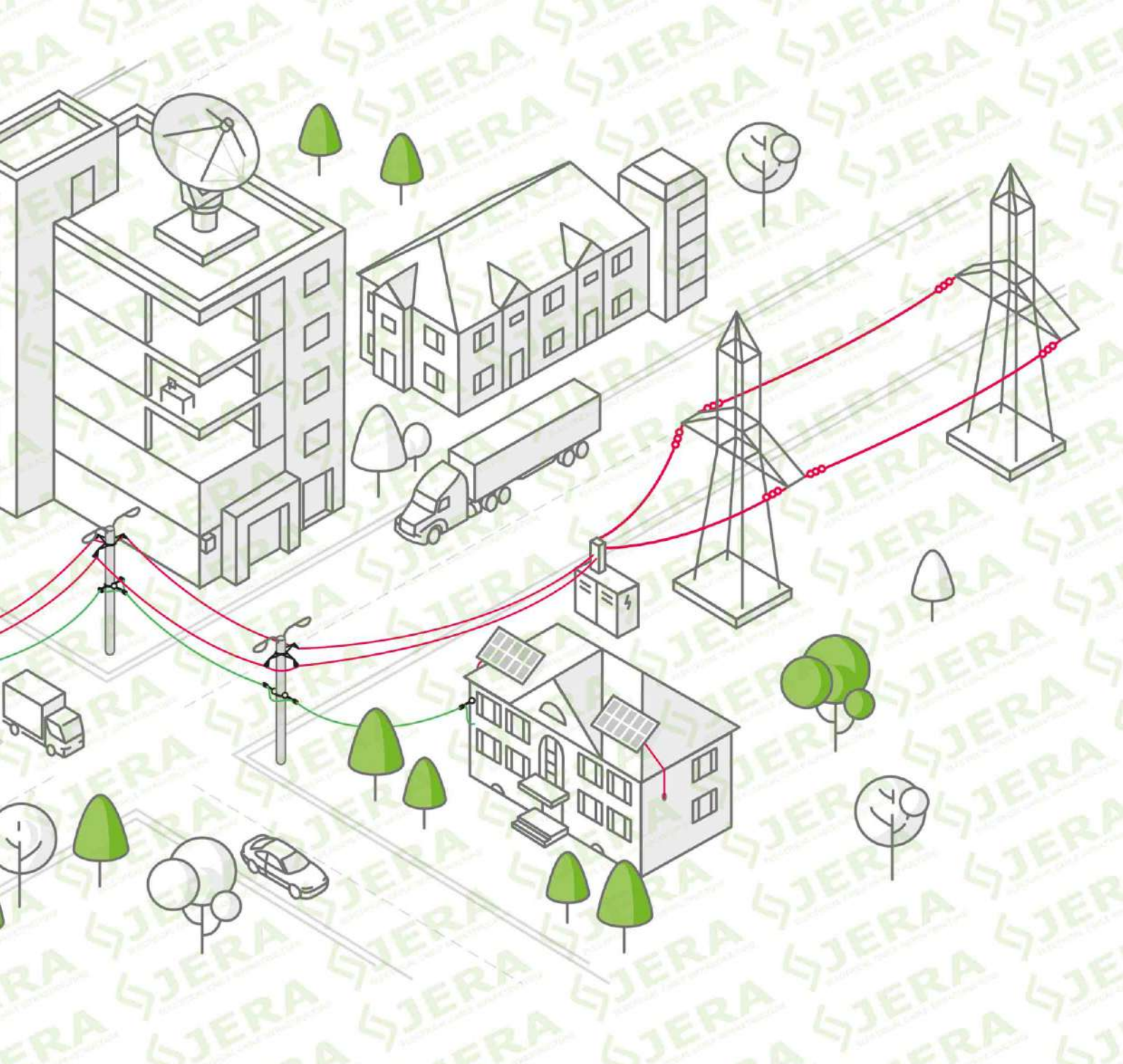
Each day we are improving our product range to achieve new challenges of global market.

Welcome to cooperate, our intention is committed to build long-term relationships.



LOW VOLTAGE ABC CABLE ACCESSORIES

Jera Company develops the wide range of reliable clamps, cable lugs, connectors, and pole's hardware for low voltage aerial bundled conductors (LV ABC) lines used in overhead and underground electrical distribution systems, street lightning, buildings, transportation, and substations.



All the fittings can be applied in electrical distribution networks from 0,4 KV to 1,0 KV, and used to accomplish:

- self-supporting ABC line installation;
- insulated messenger line installation;
- bare messenger line installation.

A product range, meet the criteria of key regional standards such as CENELEC (EN-50483), NF C 33-020, ROSSETI (CIS market).

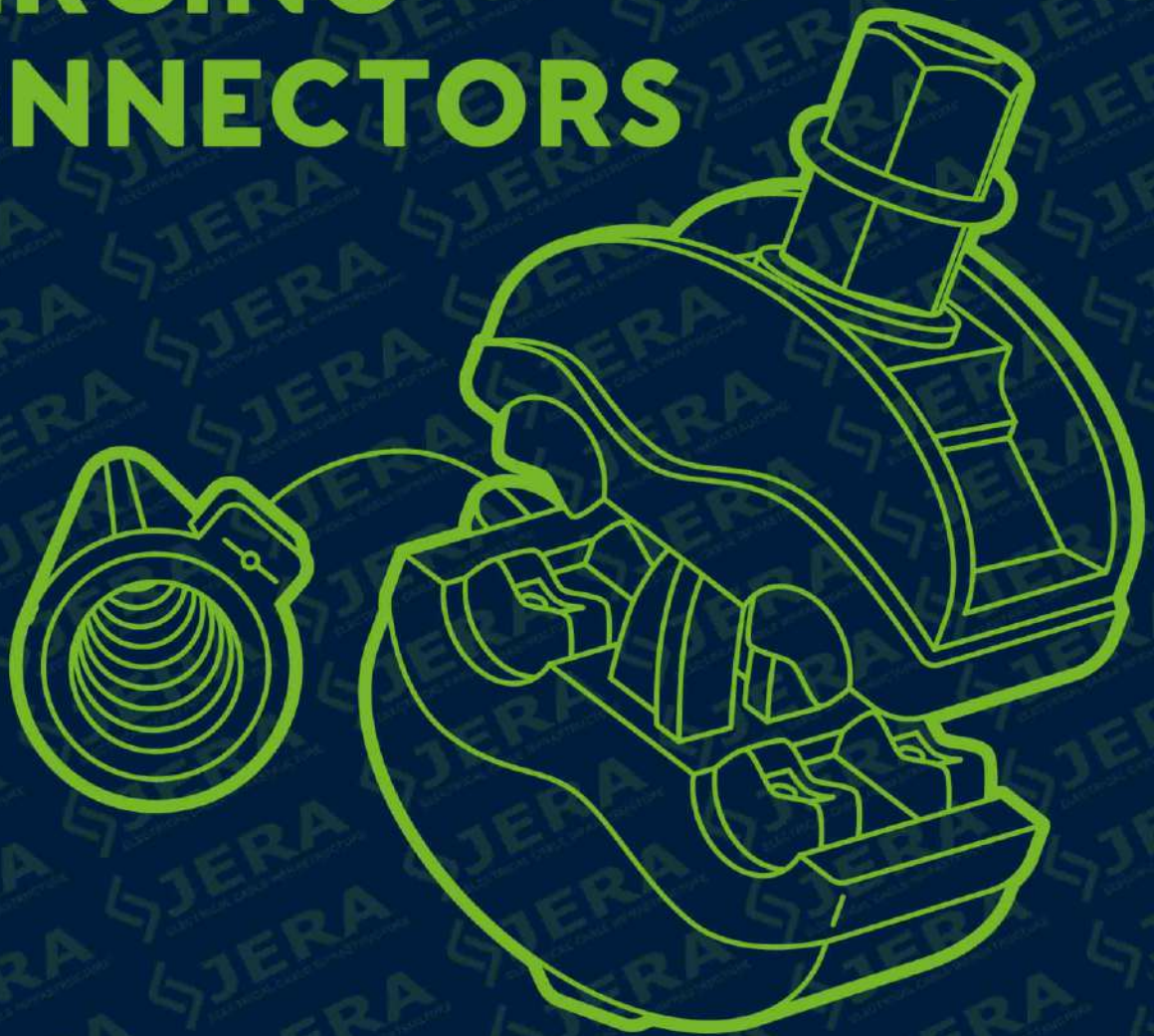
Quality of our products is verified in factory's laboratory or 3rd party laboratory, by arranging following inspections: mechanical strength test, electrical aging test, corrosion resistant test, chemical content test, operation experience with temperatures ranging from $-30\text{ }^{\circ}\text{C}$ up to $+70\text{ }^{\circ}\text{C}$ test, climatic aging test etc.

We offer reliable and competitive range of LV wiring cable accessories of modern design and long life period. By implementing an advanced experience and know-how,

we are eager to offer modern and high-qualified products. In addition, we can customize this product range according to your requirements of cable size.

We will be happy to receive inquiries from you.

INSULATED PIERCING CONNECTORS



Insulation piercing connectors were developed to use in low voltage ABC insulated overhead systems, on main or end use connections up to 1 KV.

Insulation piercing connectors are used to branch low voltage aerial bundled conductors, which applied on:

- self-supporting ABC lines;
- insulated and bare messenger lines.

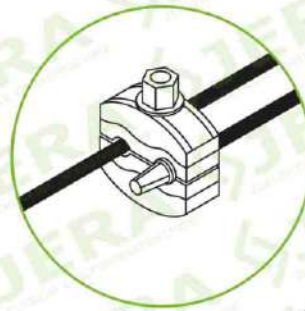
Insulation piercing connectors are waterproofed, very fast and easy in installation in service line system, street lightning for branching aluminum or copper conductors.

Connection is realized by piercing of insulation without stripping of cable insulation.

Insulation piercing connectors are made of weather, UV resistant and fiberglass reinforced polymer. The teeth of contact plates are made of tinned copper or aluminum. Hardware are made of stainless steel, galvanized steel materials.

As a one-piece format, it eliminates all the problems of dropping components while installation process.

All connectors meet the criteria of key regional standards such as CENELEC, EN-50483-4 Class A, NF C 33-020, ROSSETI (CIS market).



INSULATED PIERCING CONNECTOR ZOP-52

Product code	ZOP-52
Main line, mm²	16-150
Branch line, mm²	1.5-16
Tightening torque, N*m	11 (+/-2)
Overhead Line Application	End use connections, up to 1KV

Product information:

Insulation piercing connector ZOP-52 used with self-supporting ABC cables with insulated end use conductors, up to 1KV.

Insulation piercing connector ZOP-52 suitable for main or branch conductors with aluminum or copper wires, which are applied in overhead installation, during low voltage subscriber connective.

Insulation piercing connector ZOP-52 made of UV resistant thermoplastic, with high value of electrical strength, high strength aluminium alloy nut and stainless steel hardware.

This connector is very durable and easy for installation, does not require silicone lubricant, waterproofed.

Product analogs: SLIW52, TTD 051 FJ, P4, P 630.

INSULATED PIERCING CONNECTOR ZOP-54

Product code	ZOP-54
Main line, mm²	16-150
Branch line, mm²	6-50
Tightening torque, N*m	14 (+/-2)
Overhead Line Application	Main / end use connections, up to 1KV

Product information:

Insulation piercing connector ZOP-54 used with self-supporting ABC cables with insulated end use or main conductors, up to 1KV.

Insulation piercing connector ZOP-54 suitable for main or branch conductors with aluminum or copper wires, which are applied in overhead installation, during low voltage subscriber connective.

Insulation piercing connector ZOP-54 made of UV resistant thermoplastic, with high value of electrical strength, high strength aluminium alloy nut and stainless steel hardware.

This connector is very durable and easy for installation, does not require silicone lubricant, waterproofed.

Product analogs: SLIW54, NTD 151 AF, RDP 25/CN, N619.

SELF-SUPPORTING ABC BRANCHING



INSULATED PIERCING CONNECTOR ZOP-57

Product code	ZOP-57
Main line, mm²	25–150
Branch line, mm²	25–95
Tightening torque, N*m	16 (+/-2)
Overhead Line Application	Main / end use connections, up to 1 KV

Product information:

Insulation piercing connector ZOP-57 used with self-supporting ABC cables with insulated main end use or main conductors, up to 1 KV.

Insulation piercing connector ZOP-57 suitable for main or branch conductors with aluminum or copper wires, which are applied in overhead installation, during low voltage subscriber connective.

Insulation piercing connector ZOP-57 made of UV resistant thermoplastic, with high value of electrical strength, high strength aluminium alloy nut and stainless steel hardware.

This connector is very durable and easy for installation, does not require silicone lubricant, waterproofed.

Product analogs: SLIW57, P3X-95, P4X-150, TTD 151 FJ, TTD 171 FJ, P 640, OP-95, N 640, P 70.

INSULATED PIERCING CONNECTOR ZOP-58

Product code	ZOP-58
Main line, mm²	35–150
Branch line, mm²	35–150
Tightening torque, N*m	16 (+/-2)
Overhead Line Application	Main / end use connections, up to 1 KV

Product information:

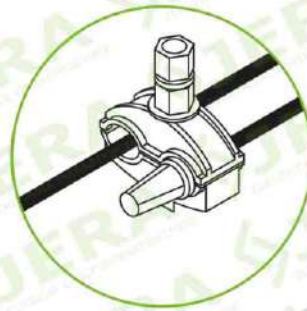
Insulation piercing connector ZOP-58 used with self-supporting ABC cables with insulated main end use or main conductors, up to 1 KV.

Insulation piercing connector ZOP-58 suitable for main or branch conductors with aluminum or copper wires, which are applied in overhead installation, during low voltage subscriber connective.

Insulation piercing connector ZOP-58 made of UV resistant thermoplastic, with high value of electrical strength, high strength aluminium alloy nut and stainless steel hardware.

This connector is very durable and easy for installation does not require silicone lubricant, waterproofed.

Product analogs: SLIW58, P3X-95, P4X-150, TTD 151 FJ, TTD 171 FJ, P 640, OP-95, N 640, P 70.



INSULATED PIERCING CONNECTOR P1X-95

Product code	P1X-95
Main line, mm²	16-95
Branch line, mm²	1.5-10
Tightening torque, N*m	10 (+/-2)
Overhead Line Application	End use connections, up to 1 KV

Product information:

Insulation piercing connector P1X-95 used with self-supporting ABC cables with insulated end use conductors, up to 1 KV.

Insulation piercing connector P1X-95 suitable for main or branch conductors with aluminum or copper wires, which are applied in overhead installation, during low voltage subscriber connective.

Insulation piercing connector P1X-95 made of UV resistant thermoplastic, with high value of electrical strength, high strength aluminium alloy nut and galvanized steel hardware.

This connector is very durable and easy for installation has silicone lubricant, waterproofed.

Product analogs: TTD 051 FJ, P4, P 630.

INSULATED PIERCING CONNECTOR ZOP-11

Product code	ZOP-11
Main line, mm²	16-95
Branch line, mm²	1.5-10
Tightening torque, N*m	10 (+/-2)
Overhead Line Application	End use connections, up to 1 KV, electricity meter

Product information:

Insulation piercing connector ZOP-11 used with self-supporting ABC cables with insulated end use conductors, up to 1 KV.

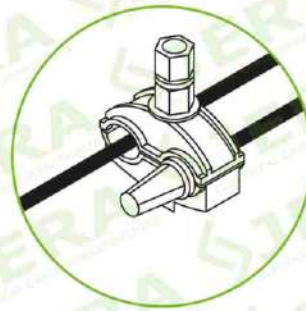
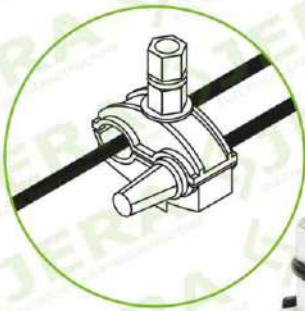
Insulation piercing connector ZOP-11 suitable for main or branch conductors with aluminum or copper wires, which are applied in overhead installation, during low voltage subscriber connective. ZOP-11 used with electricity meters application.

Insulation piercing connector ZOP-11 made of UV resistant thermoplastic, with high value of electrical strength, high strength aluminium alloy nut and galvanized steel hardware.

This connector is very durable and easy for installation has silicone lubricant, waterproofed.

Product analogs: SLIW111, TTD 051 FJ, P4, P 630.

SELF-SUPPORTING ABC BRANCHING



INSULATED PIERCING CONNECTORS P2X-95, P2X-150

Product code	P2X-95	P2X-150
Main line, mm ²	16-95	50-150
Branch line, mm ²	4-35	6-35
Tightening torque, N*m	13 (+/-2)	13 (+/-2)
Overhead Line Application	Main / end use connections, up to 1 KV	

Product information:

Insulation piercing connectors P2X-95, P2X-150 used with self-supporting ABC cables with insulated main use and end use conductors, up to 1 KV.

Insulation piercing connectors P2X-95, P2X-150 suitable for main or branch conductors with aluminum or copper wires, which are applied in overhead installation, during low voltage subscriber connective.

Insulation piercing connectors P2X-95, P2X-150 made of UV resistant thermoplastic, with high value of electrical strength, high strength aluminium alloy nut and galvanized steel hardware.

These connectors are very durable and easy for installation, has silicone lubricant, waterproof.

Product analogs: TTD 151 FJ, TTD 171 FJ, P 640.

INSULATED PIERCING CONNECTOR P3X-95, P4X-150

Product code	P3X-95	P4X-150
Main line, mm ²	25-95	35-150
Branch line, mm ²	25-95	35-150
Tightening torque, N*m	16 (+/-2)	18 (+/-2)
Overhead Line Application	Main / end use connections, up to 1 KV	

Product information:

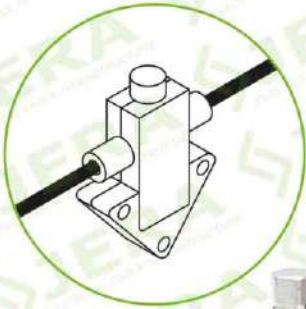
Insulation piercing connectors P3X-95, P4X-150 used with self-supporting ABC cables with insulated main use and end use conductors, up to 1 KV.

Insulation piercing connectors P3X-95, P4X-150 suitable for main or branch conductors with aluminum or copper wires, which are applied in overhead installation, during low voltage subscriber connective.

Insulation piercing connectors P3X-95, P4X-150 made of UV resistant thermoplastic, with high value of electrical strength, high strength aluminium alloy nut and galvanized steel hardware.

These connectors are very durable and easy for installation, has silicone lubricant, waterproof.

Product analogs: TTD-151-FJ, P-640, TTD 271 FJ, DZ6, P150.



INSULATED PIERCING CONNECTOR P1-71

Product code	P1-71 AL
Main line, mm²	35-95
Branch line, mm²	4-50
Tightening torque, N*m	10 (+/-2)
Overhead Line Application	Main / end use connections, up to 1KV

Product information:

Insulation piercing connector P1-71 used with self-supporting ABC cables with insulated main use and end use conductors, up to 1KV.

Insulation piercing connector P1-71 suitable for main or branch conductors with aluminum or copper wires, which are applied in overhead installation, during low voltage subscriber connective. This type of insulating piercing connector is very easy for repeated installation of branch lines form low voltage aerial cables, because it allows to be contacted with line by using a bolt.

The main line is deadily fixed in the connector by shear head bolt tightening control, which can insure all the needed pressure reaching by shearing off.

Insulation piercing connector P1-71 made of UV resistant thermoplastic, with high value of electrical strength, high strength aluminium alloy nut and galvanized steel hardware.

Connector is durable, easy for installation and waterproof.

BARE & INSULATED ABC BRANCHING



INSULATED PIERCING CONNECTOR ZOPN-95

Product code	ZOPN-95
Main line, mm²	16-95
Branch line, mm²	1.5-10
Tightening torque, N*m	10 (+/-2)
Overhead Line Application	End use connections, up to 1 KV

Product information:

Insulation piercing connector ZOPN-95 used with self-supporting ABC cables with insulated end use and bare main use conductors, up to 1 KV.

Insulation piercing connector ZOPN-95 suitable for main or branch conductors with aluminum or copper wires, which are applied in overhead installation, during low voltage subscriber connective.

Insulation piercing connector ZOPN-95 made of UV resistant thermoplastic with high value of electrical strength, high strength aluminium alloy nut and galvanized steel hardware.

Connector is very durable and easy for installation, piercing area is waterprotected.

Product analogs: NTD 151 AF, RDP 25/CN, N619.

INSULATED PIERCING CONNECTOR ZOPN-120

Product code	ZOPN-120
Main line, mm²	16-120
Branch line, mm²	16-35
Tightening torque, N*m	13 (+/-2)
Overhead Line Application	Main / End use connections, up to 1 KV

Product information:

Insulation piercing connector ZOPN-120 used with self-supporting ABC cables with insulated and bare main use / end use conductors, up to 1 KV.

Insulation piercing connector ZOPN-120 suitable for main or branch conductors with aluminum or copper wires, which are applied in overhead installation, during low voltage subscriber connective.

Insulation piercing connector ZOPN-120 made of UV resistant thermoplastic, with high value of electrical strength, high strength aluminium alloy nut and galvanized steel hardware.

Connector is very durable and easy for installation, piercing area is waterprotected.

Product analogs: NTD 151 AF, RDP 25/CN, N619.



CABLE END CAPS

Product code	MZ 4-50	MZ 25-150
Cable size, mm²	4-50	25-150

Product information:

Insulated end caps developed to be simply pushed over conductors during installation, to prevent the low voltage cable conductor system from short circuit in electrical distribution.

Insulated end caps are made of weather and UV resistant elastomeric polymer, with high value of electrical strength.

Insulated end caps conform to IPC and meet the criteria of key regional standards such as CENELEC, EN-50483-4 Class A, NF C 33-020, ROSSETI (CIS market).

Product analogs: CECT 6-35, CECT 16-150.

CONTACT US



Phone (Sales) 0574-58226131, 0574-58225537

Fax (Sales) 0574-58225539

E-mail info@jera-energy.com

Web jera-energy.com

Address Yuyao, Zhejiang province, China



